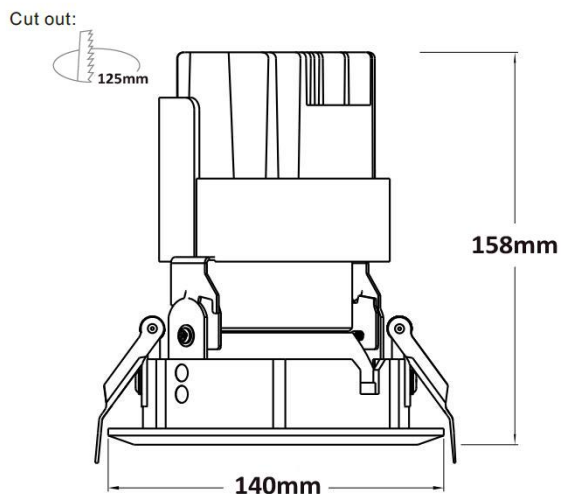


MF COB Down Light Specification

Model NO.: MF-B125022



Fixed COB Series

UGR:19 KN<10% CRI>83



Adjustable head

Fixed head

IEC62031
IEC60598-1
IEC60598-2
IEC61347
Comply with Energy Star SSL

ErP

CE

RoHS

F

IP44

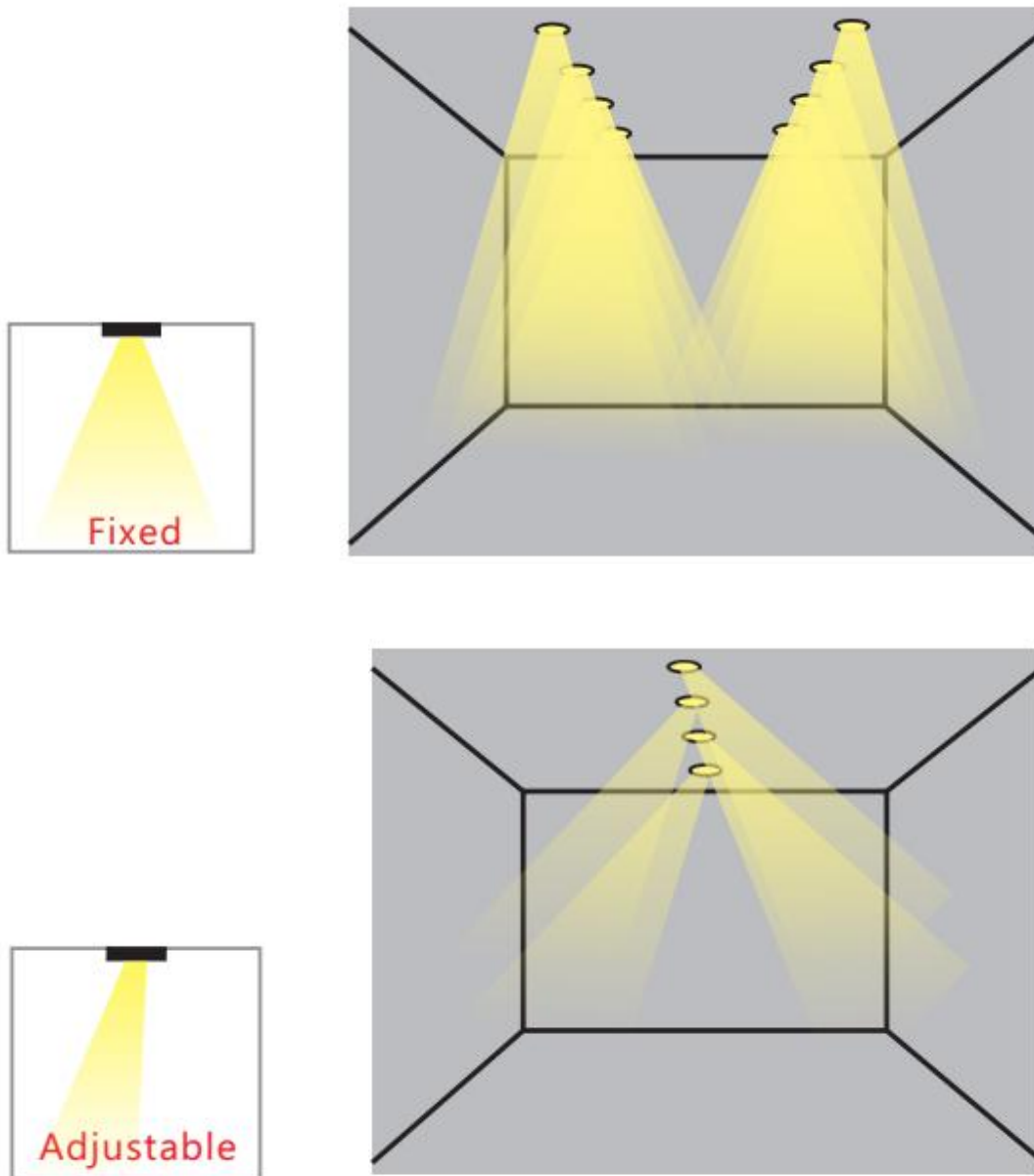
CREE

LIFUD

Narrow Beam Angle:



Adjustable/Fixed head available:



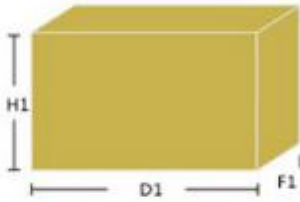
Product Parameters:

Input voltage	220-240Vac, 50hz/60hz
Product Size	Φ 140*158mm
Cut out Size	Φ 125mm
Power(watt)	22W
Color temperature	3000K / 4000K / 5000K
LED Chip	Cree COB(CXA1512)
LED Driver	Lifud
PF	≥0.95
Housing Colour	White RAL9003
Luminous Flux (lm)	1980lm@3000K, 2100lm@4000K, 2200lm@5000K
CRI (Ra)	>83
Lifespan	≥50000hrs
Beam Angle	10° / 15° / 24° / 38°
Material	Aluminum Alloy
Operating Temperature	-20°C ~50°C
Head type	Adjustable/Fix head
IP	IP44
Certificate	CE/ RoHS
Warranty Period	5 years

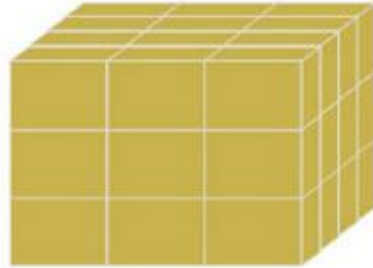
Package:



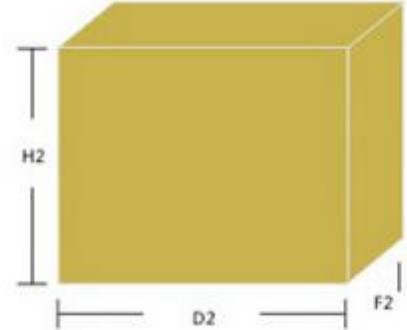
Packing Size: (CM)



16(D1)*16 (F1)*17.5cm(H1)/PCS



16PCS/CTN



68(D2)*35.5(F2)*39cm(H2)/16PCS

N.W: 15.5KG, G.W: 16.5KG

Job reference photos from Ming Feng

